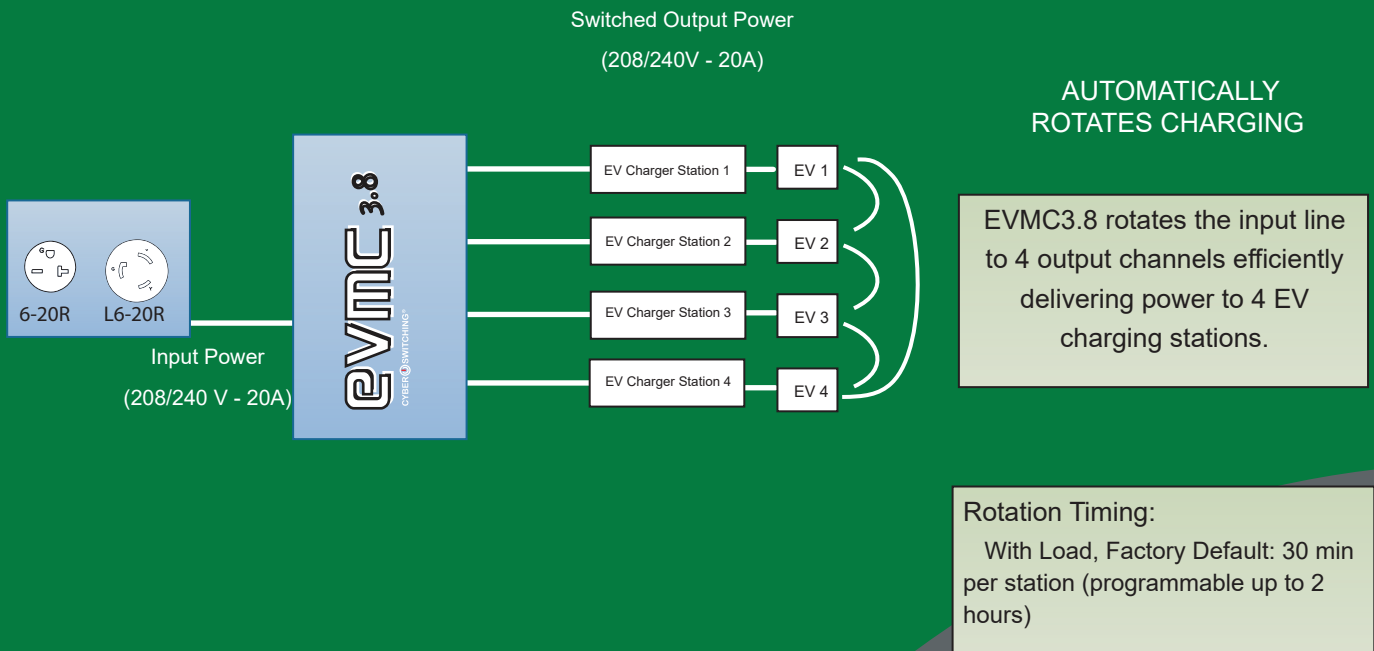


Product Specifications

FEATURE	TECHNICAL SPECIFICATION
UL File	PAZX.E206903
Certifications	UL916, Energy Management Equipment CAN/CSA 22.2 No. 205-12, Standard for Signal Equipment
Output Ratings	20A, 250V NEMA 6-20R (Receptacle rating)



Ordering Information

PRODUCT #	PRODUCT DESCRIPTION	CHARGER SUPPORT	CIRCUITS
CS-EVMC-3.8	Electric Vehicle Master Controller 3.8	4 - 3.8Kw, 240v Chargers	20 Amp

The information provided herein is subject to change without notice. All claims of performance or cost savings were measured and developed under laboratory conditions and Cyber Switching implies no guarantee that the same performance and cost savings will be realized by the end-user.

Learn more at www.cyberswitching.com

Email us at info@cyberswitching.com or call us at 888.311.6277

1921 Ringwood Avenue

San Jose, CA 95131

